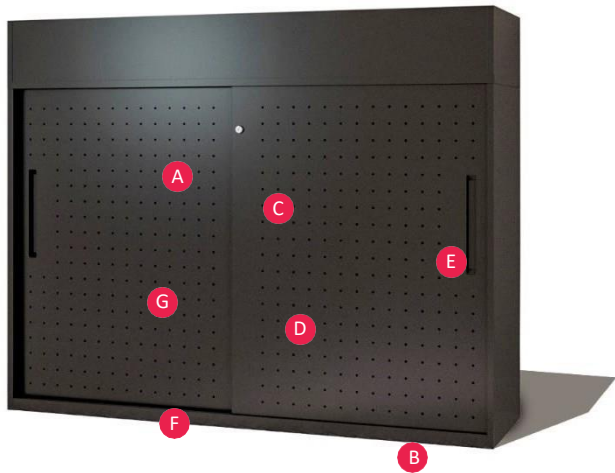


# DSD SLIDING DOOR

Design:2020





A – Patented one-form technology and ANSI-BIFMA X5.3-2007 certified

B – Adjustable floor levelers

C – Interchangeable key lock and barrel system

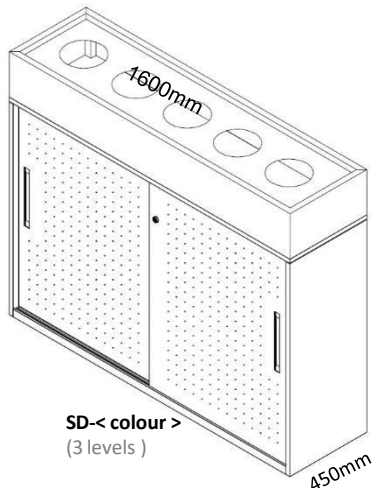
D – Adjustable slotted shelves

E – Perforated sliding door.

F – Environmentally friendly with 30% recycled raw material

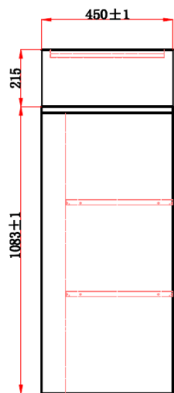
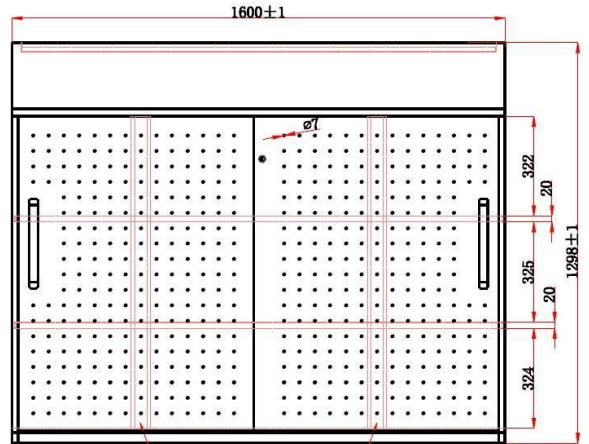
G – Subtle premium powder coat finish

5x 200mm Dia cut outs  
For self watering pots  
(lift off top panel)



SD-< colour >  
(3 levels)

1298mm  
(1083mm  
tambour  
215mm  
Box)



**Options:**

- Specified Powder coat to full unit
  - Extra Shelves and clips
  - Planter available in melamine finish for an executive look
- Melamine bench top

Premium power coat finish available  
stockexpress.®



SD-W  
( Pearl white )



SD-B  
( Satin black )

